

# QPA-2620-2690-45-40

## 2620~2690MHz, 45dB, 40dBm

**Features:**

- \* Small Size
- \* Low Power Consumption

**Applications:**

- \* Wireless
- \* Transmitter
- \* Laboratory Test

**Electrical**

Frequency:	2620~2690MHz
Power Gain:	45dB typ.
Gain Flatness:	±0.75dB typ.
Output Power (P1dB):	40dBm typ.
Spurious:	-60dBc typ. (DC~10GHz@Pout=40dBm)
2 <sup>th</sup> Harmonic:	-45dBc typ.
Input VSWR:	1.45 typ.
Output VSWR:	2 typ.
Voltage:	+30V DC
Input Power:	-2dBm max.

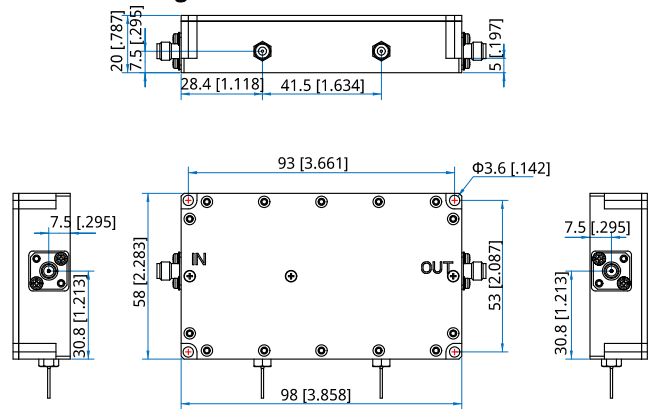
**Mechanical**

Size*1:	98*58*20mm 3.858*2.283*0.787in
RF Connectors:	SMA female
Power Supply Interface:	Feed through
Mounting:	4-Φ3.2mm through-hole
Cooling:	Forced Air

[1] Exclude connectors.

**Environmental**

Operating Temperature:	-10~+50°C
------------------------	-----------

**Outline Drawings**


Unit: mm [in]

Tolerance: ±0.2mm [±0.008in]

**How To Order**

[QPA-2620-2690-45-40](#)

Customization is available upon request.